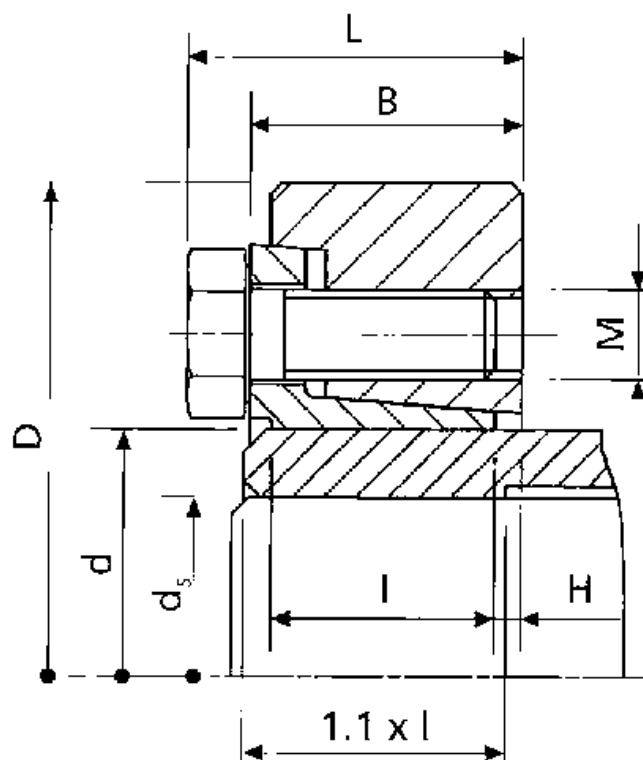


Article number: 437900026

Description: Rota-fix shaft-hub connection SA 26

## Measures



B mm	= 18.0	M mm	= M6
d H8 mm	= 26	T N m torque	= 230
D mm	= 51.5	Ts N m bolt tightening torque	= 13
ds mm	= 20		
F kN torque	= 23		
H	= 2.0		
I mm	= 15.0		
L mm	= 22.0		